

## RE60 FREE WEIGHT SERIES

## RE6042+RE6042 OPT - SEAL ROW BENCH



## PRODUCT OVERVIEW

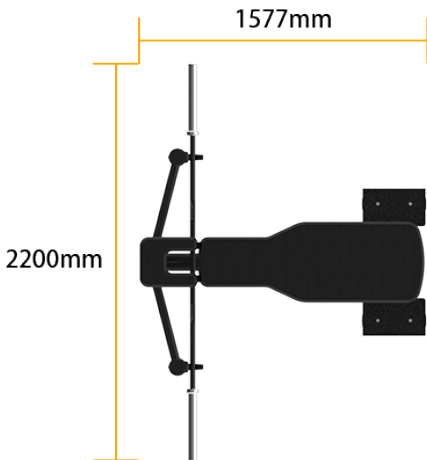
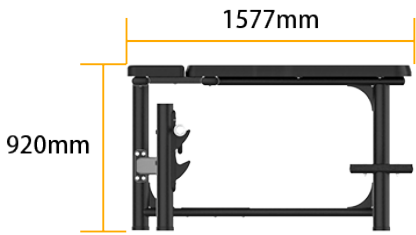
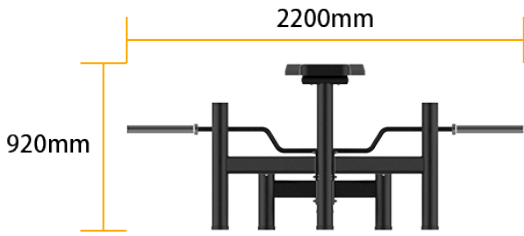
The RE6042 is a professional training bench designed specifically for back muscle development. Built with a sturdy structure and refined craftsmanship, it is ideal for use in commercial gyms and premium training environments. The headrest features a central hollow design, providing stable head support while reducing neck pressure and maintaining a clear line of sight to ensure correct motion alignment during training.

The ergonomically designed body pad allows smooth shoulder and arm movement, avoiding interference between the user and the equipment. Its widened leg support area offers comfort and stability for users of different leg sizes. Equipped with dual short barbell hooks, it accommodates various arm spans and lifting habits. The short hook design allows for convenient racking and unracking, reducing the starting distance for smoother movement. When used with a dedicated specialty barbell, it ensures full rowing motion and maximized training effectiveness. Dual non-slip foot platforms further enhance ease of use and safety, providing a comfortable and secure user experience.

# SPECIFICATIONS & KEY FEATURES

## Specifications

Dimension:	2200*1577*920mm
Total Weight:	92kg

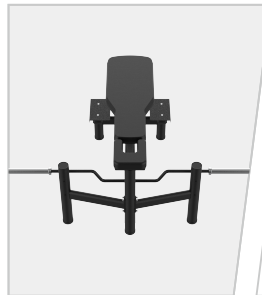


## Product Features



### Hollow Headrest Design

Central cutout reduces neck strain while maintaining a clear forward view for accurate motion control.



### Ergonomic Body Support

Shoulder clearance ensures smooth arm movement, while the widened leg area offers stable, comfortable support.



### Dual Short Barbell Hooks

Shortened hook design improves convenience and safety by minimizing starting distance and enhancing racking ease.



### Anti-Slip Foot Platforms

Provide additional stability and convenience, improving safety and overall user interaction.